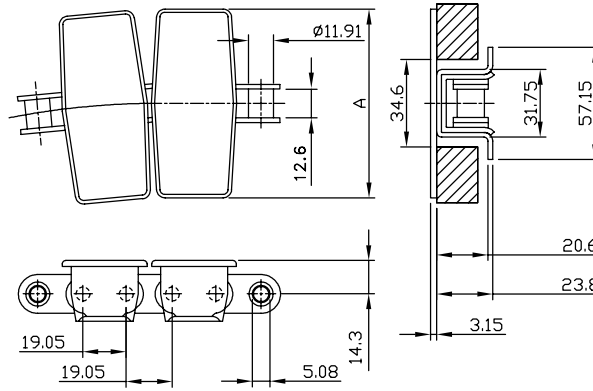


Sideflex 3/4" Pitch Tab Steel Top Plate



Chain Type	Code Number	Plate Width A		Weight kg/m	Loose Top Plate Code Number	Working Load (max.) N (21°C)	Sideflex Radius (min) mm	Connection Link	
		mm	inch					Type	Code Number

Steel Top Plate/Steel Base Chain

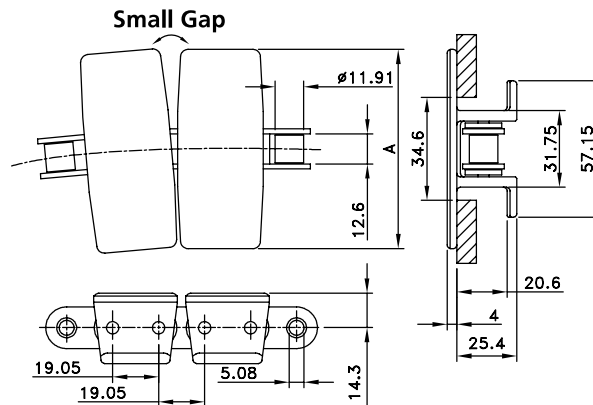
1874 TAB-K325	1874K3-1/4	82.5	3.25	4.20	114-130-1	4500	381	CL-63	36742
1874 TAB-K450	1874K4-1/2	114.3	4.50	4.80	114-130-2		381		
1874 TAB-K600	1874K6	152.4	6.00	5.70	114-130-6		457		
1874 TAB-K750	1874K7-1/2	190.5	7.50	6.40	114-130-3		610		

Stainless Steel Top Plate/Stainless Steel Base Chain

1874 TAB SS-K325	1874SSK3-1/4	82.5	3.25	4.20	114-130-4	3400	381	CL-63 SS	36747
1874 TAB SS-K450	1874SSK4-1/2	114.3	4.50	4.80	114-130-5		381		
1874 TAB SS-K600	1874SSK6	152.4	6.00	5.70	114-130-8		457		
1874 TAB SS-K750	1874SSK7-1/2	190.5	7.50	6.40	114-130-7		610		

Standard length: 3.048 m – 10 feet (160 links).
Min. backflex radius 254 mm.

Sideflex 3/4" Pitch Tab Small Gap 11,8 mm



Chain Type	Code Number	Plate Width A		Weight kg/m	Loose Top Plate Code Number	Working Load (max.) N (21°C)	Sideflex Radius (min) mm	Connection Link	
		mm	inch					Type	Code Number

LF-Acetal Top Plate/Steel Base Chain

LF 1873 TAB SG-K450	L1873683662	114,3	4,50	2,30	L1873645963	4500	610	CL-63	36742
---------------------	-------------	-------	------	------	-------------	------	-----	-------	-------

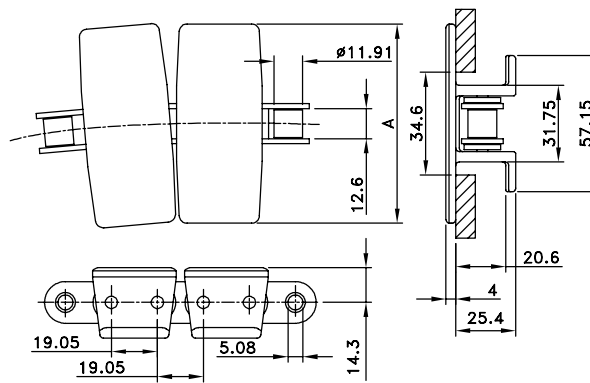
BWR-Top Plate/Steel Base Chain

BWR 1873 TAB SG-K450	L1873683642	114,3	4,50	2,30	L1873645973	4500	610	CL-63	36742
----------------------	-------------	-------	------	------	-------------	------	-----	-------	-------

WX-Polyamide Composite Top Plate/Steel Base Chain

WX 1873 TAB SG-K450	L1873683652	114,3	4,50	2,30	L1873645983	4500	610	CL-63	36742
---------------------	-------------	-------	------	------	-------------	------	-----	-------	-------

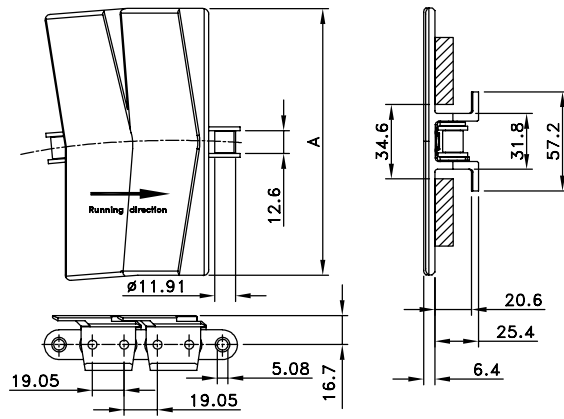
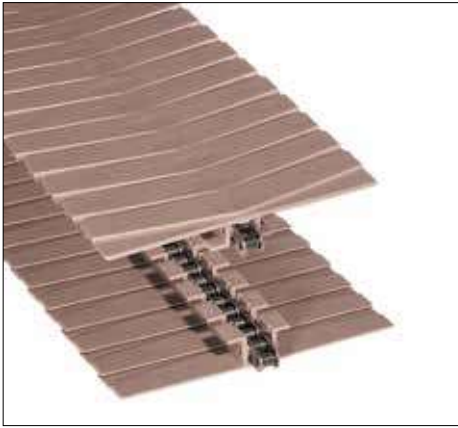
Sideflex 3/4" Pitch Tab Plastic Top Plate



Chain Type	Code Number	Plate Width		Weight	Loose Top Plate	Working Load (max.)	Sideflex Radius (min)	Connection Link	
		A						Type	Code Number
		mm	inch	kg/m	Code Number	N (21°C)	mm		
LF-Acetal Top Plate/Steel Base Chain									
LF 1873 TAB-K325	L1873604731	82.5	3.25	2.10	L1873615621	4500	390	CL-63	36742
LF 1873 TAB-K450	L1873604741	114.3	4.50	2.30	L1873LF623621		457		
LF 1873 TAB-K600	L1873604751	152.4	6.00	2.40	L1873LF631801				
LF 1873 TAB-K750	L1873604761	190.5	7.50	2.60	L1873LF622011				
LF 1873 TAB-K1000	L1873604771	254.0	10.00	2.80	L1873LF610701				
LF 1873 TAB-K1200	L1873604781	304.8	12.00	3.00	L1873LF645071				
LF-Acetal Top Plate/Stainless Steel Base Chain									
LF 1873 TAB SS-K325	L1873604791	82.5	3.25	2.10	L1873615621	3400	390	CL-63 SS	36747
LF 1873 TAB SS-K450	L1873604801	114.3	4.50	2.30	L1873LF623621		457		
LF 1873 TAB SS-K600	L1873604811	152.4	6.00	2.40	L1873LF631801				
LF 1873 TAB SS-K750	L1873604821	190.5	7.50	2.60	L1873LF622011				
LF 1873 TAB SS-K1000	L1873604831	254.0	10.00	2.80	L1873LF610701				
LF 1873 TAB SS-K1200	L1873604841	304.8	12.00	3.00	L1873LF645071				
WX-Polyamide Composite Top Plate/Steel Base Chain									
WX 1873 TAB-K450	L1873683652*	114.3	4.50	2.30	L1873610683	4500	390	CL-63 SS	36742

Standard length: 3.048 m – 10 feet (160 links). Min. backflex radius 305 mm.
 * Ask customer service for minimum order quantity of WX 1873 chains.

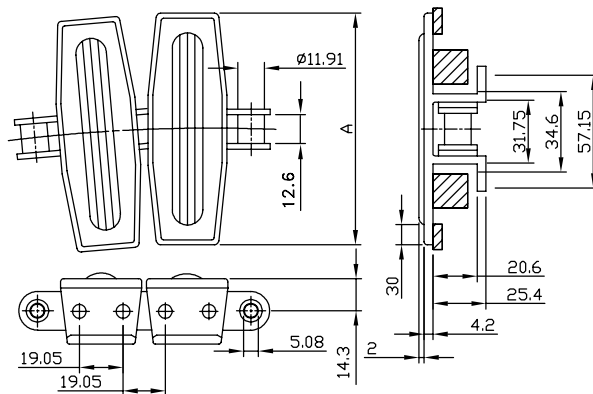
Sideflex 3/4" Pitch Tab Plastic Top Plate Closed Surface



Chain Type	Code Number	Plate Width A		Weight kg/m	Loose Top Plate Code Number	Working Load (max.) N (21°C)	Sideflex Radius (min) mm	Connection Link	
		mm	inch					Type	Code Number
LF-Acetal Top Plate/Stainless Steel Base Chain									
LF 3873 TAB SS-K1000	L3873604921	254.0	10.00	3.10	114-129-2	3400	457	CL-63 SS	36747
PC Polycarbonate Top Plate/Stainless Steel Base Chain									
WPC 3873 TAB SS-K1200	L3873604941	304.8	12.00	3.20	114-1046-5	3400	610	CL-63 SS	36747

Standard length: 3.048 m – 10 feet (160 links).
Min. backflex radius 178 mm.

Sideflex 3/4" Pitch Tab Plastic Top Plate With Rubber



Chain Type	Code Number	Plate Width A		Weight kg/m	Loose Top Plate Code Number	Working Load (max.) N (21°C)	Sideflex Radius (min) mm	Connection Link	
		mm	inch					Type	Code Number
LF-Acetal Top Plate/Steel Base Chain									
HFP 1873 TAB-K750	L1873648142	190.5	7.50	3.10	L1873635192	4500	457	CL-63	36742
HFP 1873 TAB-K1000	L1873648152	254.0	10.00	3.40	L1873635222				
HFP 1873 TAB-K1200	L1873645302	304.8	12.00	3.60	L1873635252				
LF-Acetal Top Plate/Stainless Steel Base Chain									
HFP 1873 TAB SS-K750	L1873653102	190.5	7.50	3.10	L1873635192	3400	457	CL-63 SS	36747
HFP 1873 TAB SS-K1000	L1873645522	254.0	10.00	3.40	L1873635222				
HFP 1873 TAB SS-K1200	L1873644202	304.8	12.00	3.60	L1873635252				

Standard length: 3.048 m – 10 feet (160 links).
Rubber: SEBS grey; 60 shore A hardness. Other rubber patterns and materials are possible.
Min. backflex radius 305 mm.

Minimum order quantity 30.48 m – 100 feet.